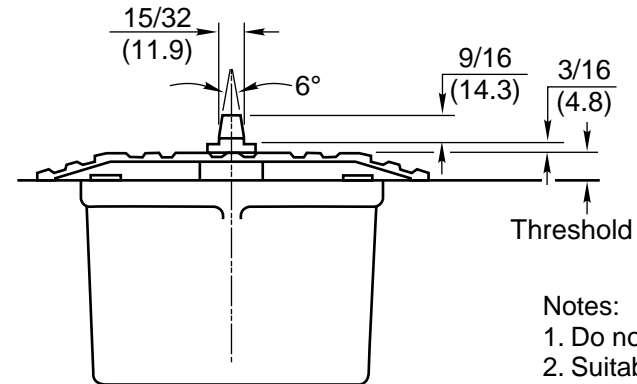
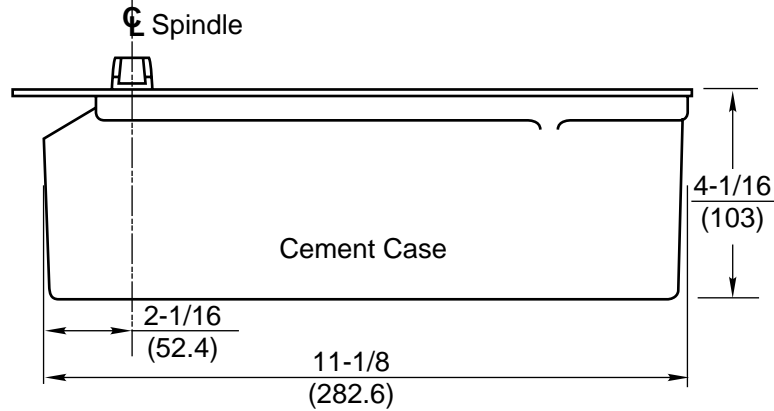


**WITH FLOOR PLATE**  
Set Cement Case 1/8" Below  
Surface of Finished Floor



**WITH THRESHOLD**  
Set Cement Case Flush  
with Finished Floor  
(See Note 3)

Notes:

1. Do not scale drawing.
2. Suitable reinforcing by others.
3. With 1/4" threshold order 1/4" longer spindle. With 1/2" threshold order 1/2" longer spindle.
4. For use only on glass doors using patch fittings.
5. All dimensions given in inches (mm).

6/94

**328 Floor Closer**  
**Single Acting, Center Hung**  
**For Use on Glass Doors with Patch Fittings**

<b>RIXSON™</b>	
<b>Rixson Specialty Door Controls</b>	
<a href="http://www.rixson.com">www.rixson.com</a>	
TEMPLATE NUMBER	DATE
<b>CH20500</b>	<b>4-06</b>