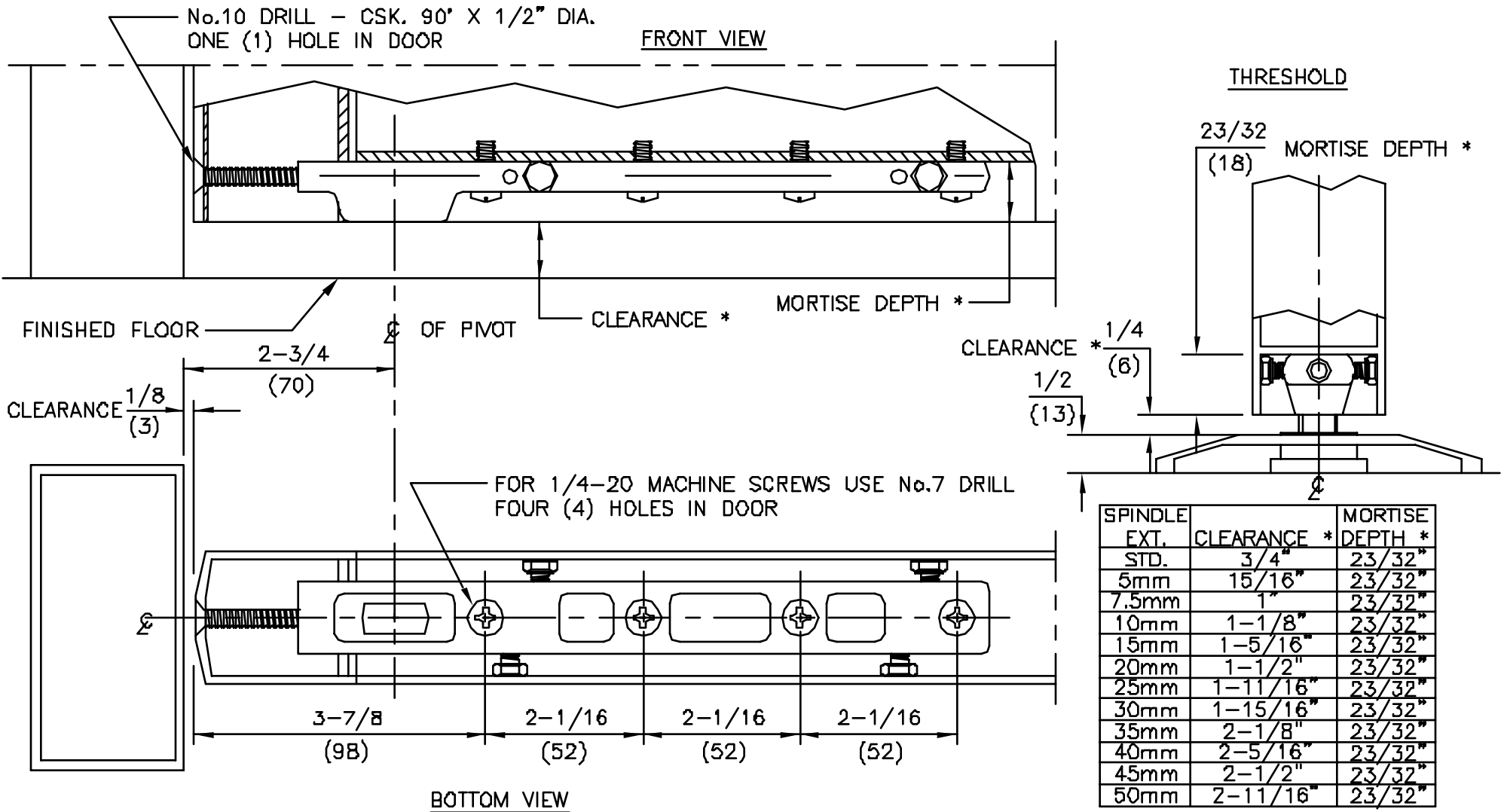


No.	REVISIONS	DATE

- NOTES
1. DO NOT SCALE DRAWING.
  2. DIMENSIONS ARE IN INCHES/(MM).
  3. ALL NECESSARY REINFORCEMENT FOR ARM BY OTHERS.



ITEM No. 7422  
 CENTER HUNG BOTTOM ARM  
 ALUMINUM DOOR  
 FOR USE WITH 7471K FLOOR BEARING



DORMA Architectural Hardware  
 REAVISTOWN, PENNSYLVANIA 17567  
 TEMPLATE No. LM-44