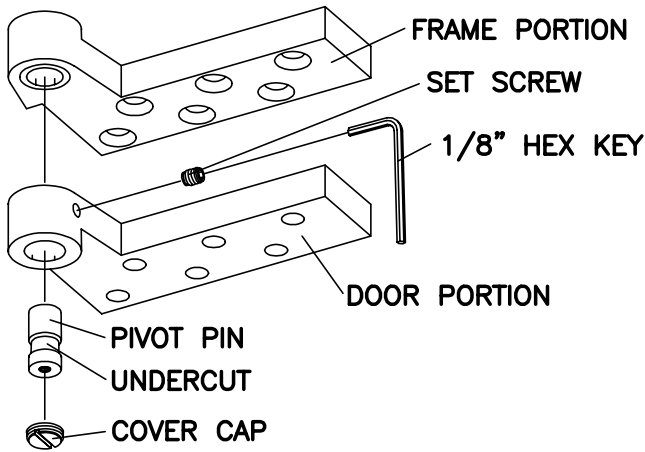


# 3/4" OFFSET TOP LEAD LINED PIVOT



## MODEL No.

- 1) Prepare door and frame according to template.
- 2) Remove door portion cover cap, set screw and pivot pin.



<input type="checkbox"/> 75140 5/8	<input type="checkbox"/> 75140
<input type="checkbox"/> 75140 5/8-2	<input type="checkbox"/> 75140-2
<input type="checkbox"/> 75140 5/8-2-1/4	<input type="checkbox"/> 75140-2-1/4
<input type="checkbox"/> 75140 5/8-2-1/2	<input type="checkbox"/> 75140-2-1/2
<input type="checkbox"/> 75140 5/8-3	<input type="checkbox"/> 75140-3
<input type="checkbox"/> 75142 5/8	<input type="checkbox"/> 75142
<input type="checkbox"/> 75142 5/8-2	<input type="checkbox"/> 75142-2
<input type="checkbox"/> 75142 5/8-2-1/4	<input type="checkbox"/> 75142-2-1/4
<input type="checkbox"/> 75142 5/8-2-1/2	<input type="checkbox"/> 75142-2-1/2
<input type="checkbox"/> 75142 5/8-3	<input type="checkbox"/> 75142-3
<input type="checkbox"/> 75143 5/8	<input type="checkbox"/> 75143
<input type="checkbox"/> 75143 5/8-2	<input type="checkbox"/> 75143-2
<input type="checkbox"/> 75143 5/8-2-1/4	<input type="checkbox"/> 75143-2-1/4
<input type="checkbox"/> 75143 5/8-2-1/2	<input type="checkbox"/> 75143-2-1/2
<input type="checkbox"/> 75143 5/8-3	<input type="checkbox"/> 75143-3
<input type="checkbox"/> LH <input type="checkbox"/> RH	NON-HANDED
(1/8" INSET) DOOR	(FLUSH) DOOR

## FINISH

- 3) Fasten pivot to door and frame.
- 4) Install door. Align door and frame portions of top pivot. Install pivot pin making sure undercut area of pin aligns with set screw. Tighten set screw securely. Install door portion cover cap.

### Note:

Depending on type of pivot and hand of door, set screw may be in door portion or frame portion of pivot. However, pivot pin will always be removeable through door portion.