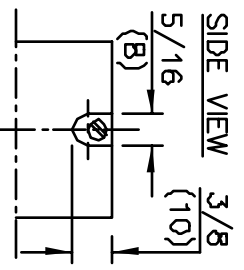
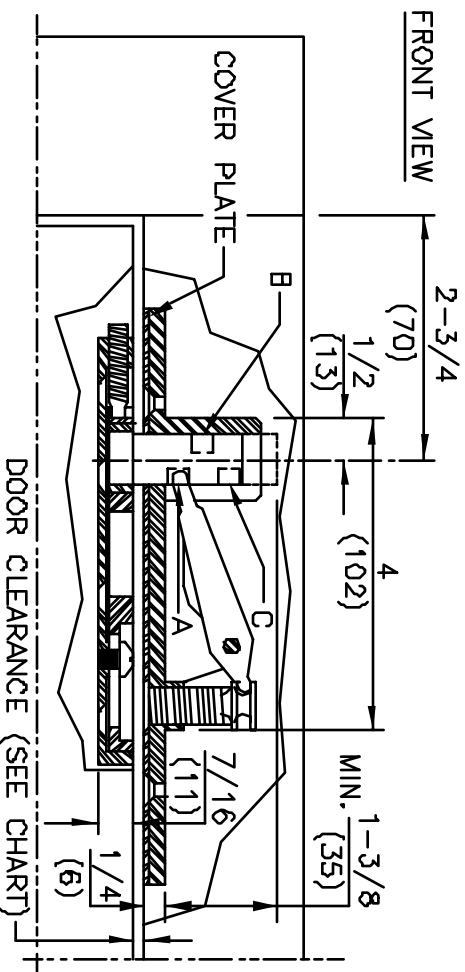
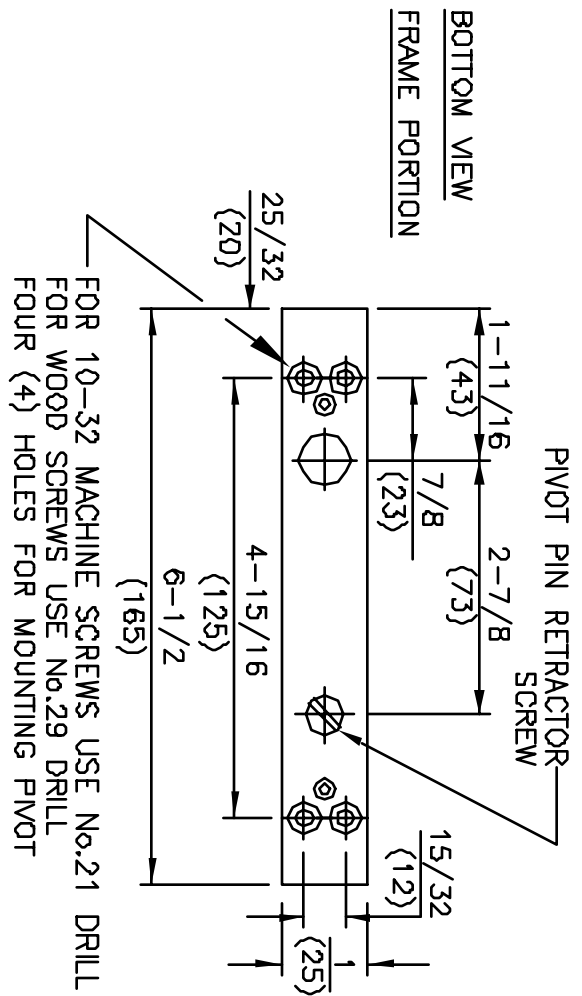


DATE
2/13/91

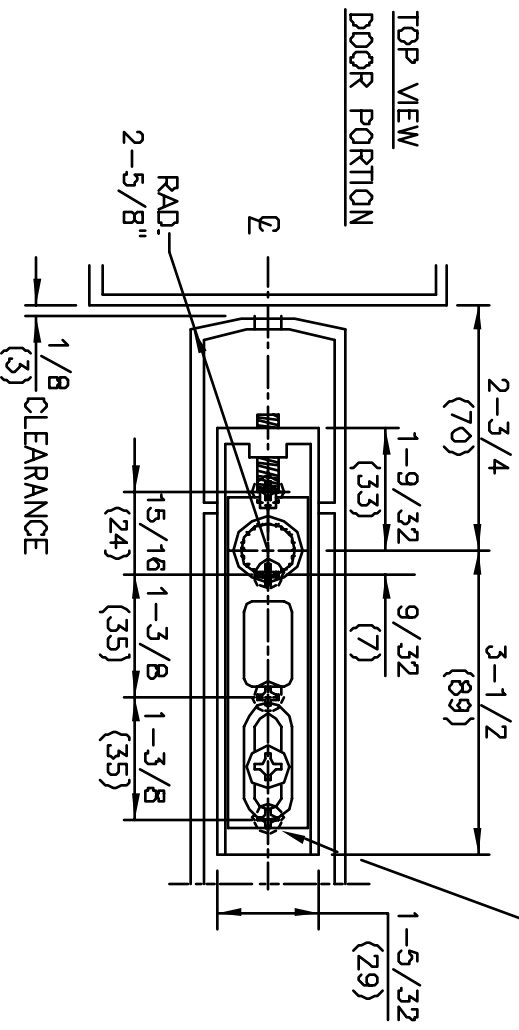
No.	REVISIONS
1	TEMPLATE REDRAWN

- NOTES
1. DO NOT SCALE DRAWING.
 2. DIMENSIONS ARE IN INCHES/(MM).
 3. ALL NECESSARY REINFORCING FOR PIVOTS BY OTHERS.
 4. PIVOT PIN DIAMETER .591/(15MM).
 5. PIVOT PIN PROJECTION IS ADJUSTABLE. SEE CHART FOR DOOR CLEARANCES.

DOOR CLEARANCE		
POSITION	STANDARD PIN	EXTENDED PIN
A	1/8" (3)	3/4" (19)
B	3/8" (10)	1" (25)
C	3/4" (19)	1-5/16" (33)



FOR 10-32 MACHINE SCREWS USE No.21 DRILL
FOR WOOD SCREWS USE No.29 DRILL
FOUR (4) HOLES IN DOOR



MODEL No. 8062, 8062 EXT PIN
CENTER HUNG TOP PIVOT



DORMA Architectural Hardware
REAVISTOWN, PENNSYLVANIA 17567
TEMPLATE No. LM-45