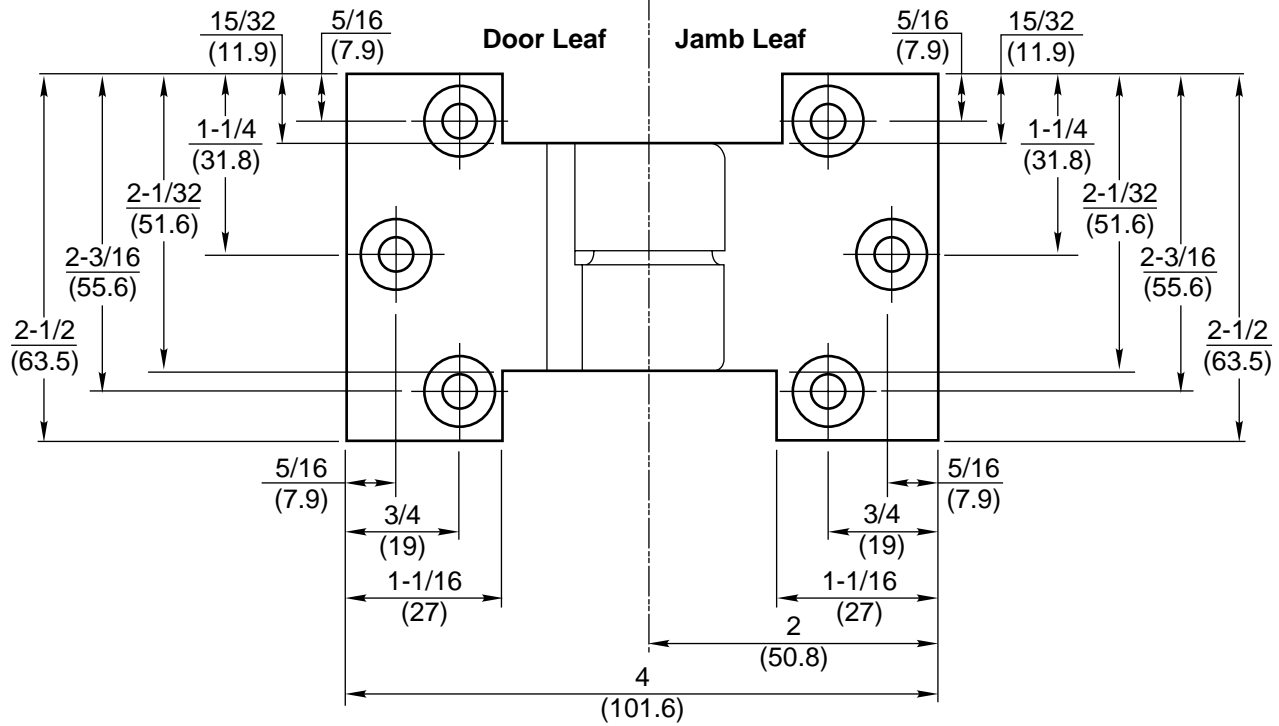
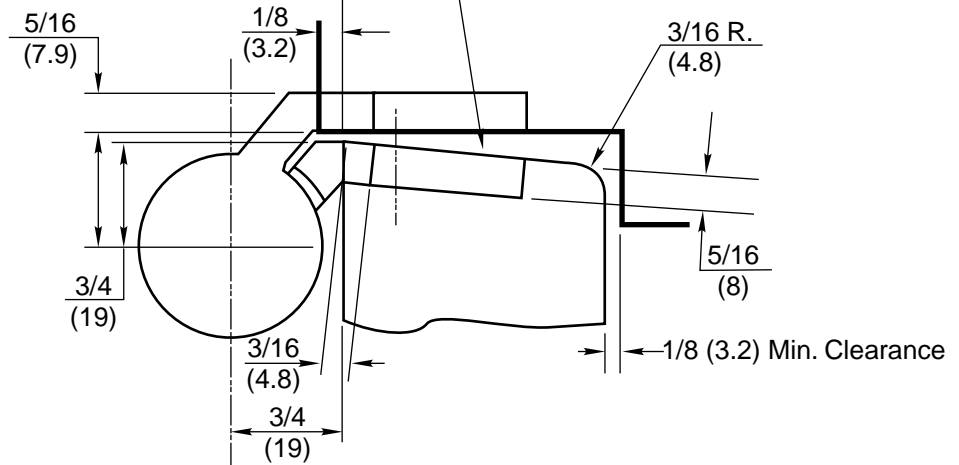


Bevel Heel Edge  
of Door 1/8" in 2"  
(3.2 in 50.8)



**Notes:**

1. Do not scale drawing.
2. Dimensions are given in inches (mm).
3. Pivot drilled for 1/4-20 x 5/8" FHMS or #14 x 1-1/2 FHWS
4. Right hand shown.
5. Pivot does not carry weight of door.

**Intermediate Pivot  
119  
3/4" Offset – Handed**



An ASSA ABLOY Group Company

Franklin Park, IL 60131

NUMBER

**IS119**

DATE

**01-03**

Handed

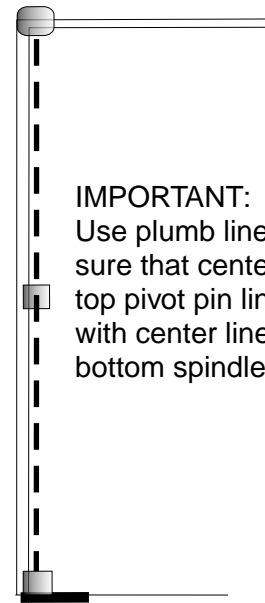
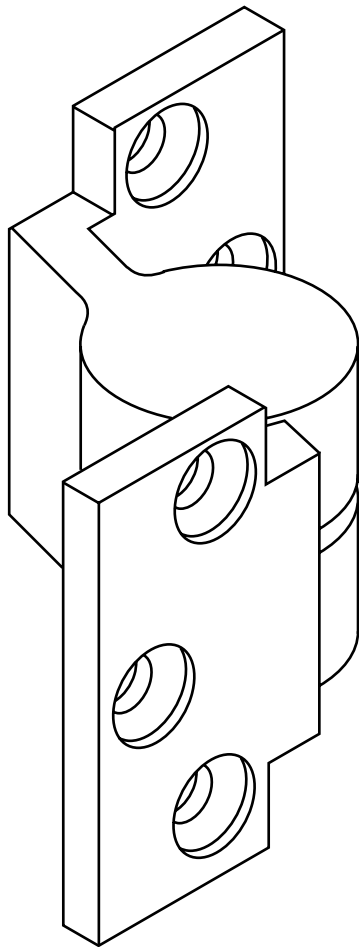
# 119 Side Jamb Pivot Installation Instructions

3/4" Offset

**APPLICATION:** This pivot is NOT designed to carry any weight of the vertical door. This pivot is designed to maintain door alignment. Intermediate pivots are especially recommended where doors are unusually wide or over 7'0" high.

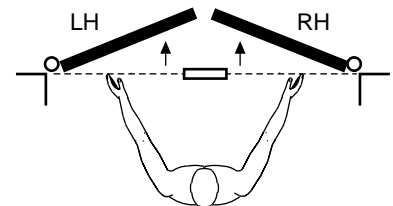
**INSTALL PIVOT:** Mortise door and jamb per template on reverse side. In assembly, pivot pin is inserted UPWARD into door knuckle and locked in place with set screw.

**ALIGNMENT:** To insure proper installation , the centerline of the side jamb pivot must be in line with the centerline of the top and bottom pivot points. See illustration.



**IMPORTANT:**  
Use plumb line to make sure that center line of top pivot pin lines up with center line of bottom spindle

### How To Determine Hand of Door



Face a door swinging open away from you. If it opens to the right, it is right hand. If it opens to the left, it is left hand.

**Intermediate Pivot  
119  
3/4" Offset – Handed**



**An ASSA ABLOY Group Company**

Franklin Park, IL 60131

NUMBER

**IS119**

DATE

**01-03**