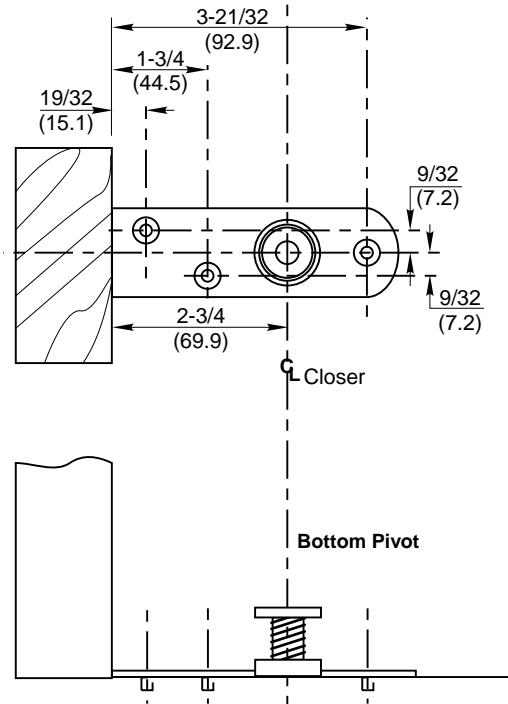
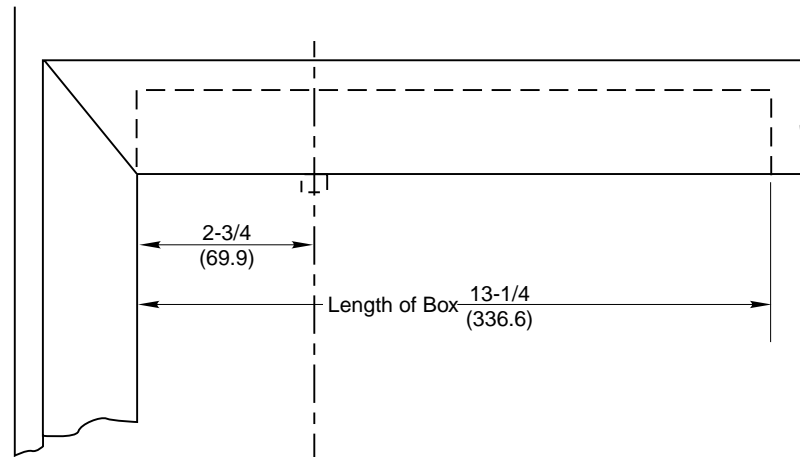
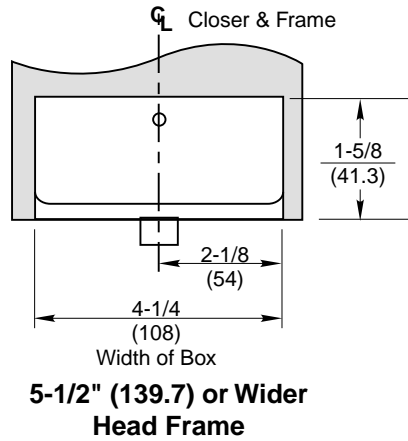


WOOD JAMB INSTALLATION



NOTES:

1. Do not scale drawing.
2. Arm plate used with arm on wood doors. Attach with #14 x 1-1/2" FHWS
3. Door radius recommended 2-5/8" (66.7).
4. All dimensions given in inches (mm).

**W608 Series
Overhead Concealed Door Closer
Center Pivot**

RIXSON™	
Rixson Specialty Door Controls	
www.rixson.com	
TEMPLATE NUMBER	DATE
OC60450B	1-06