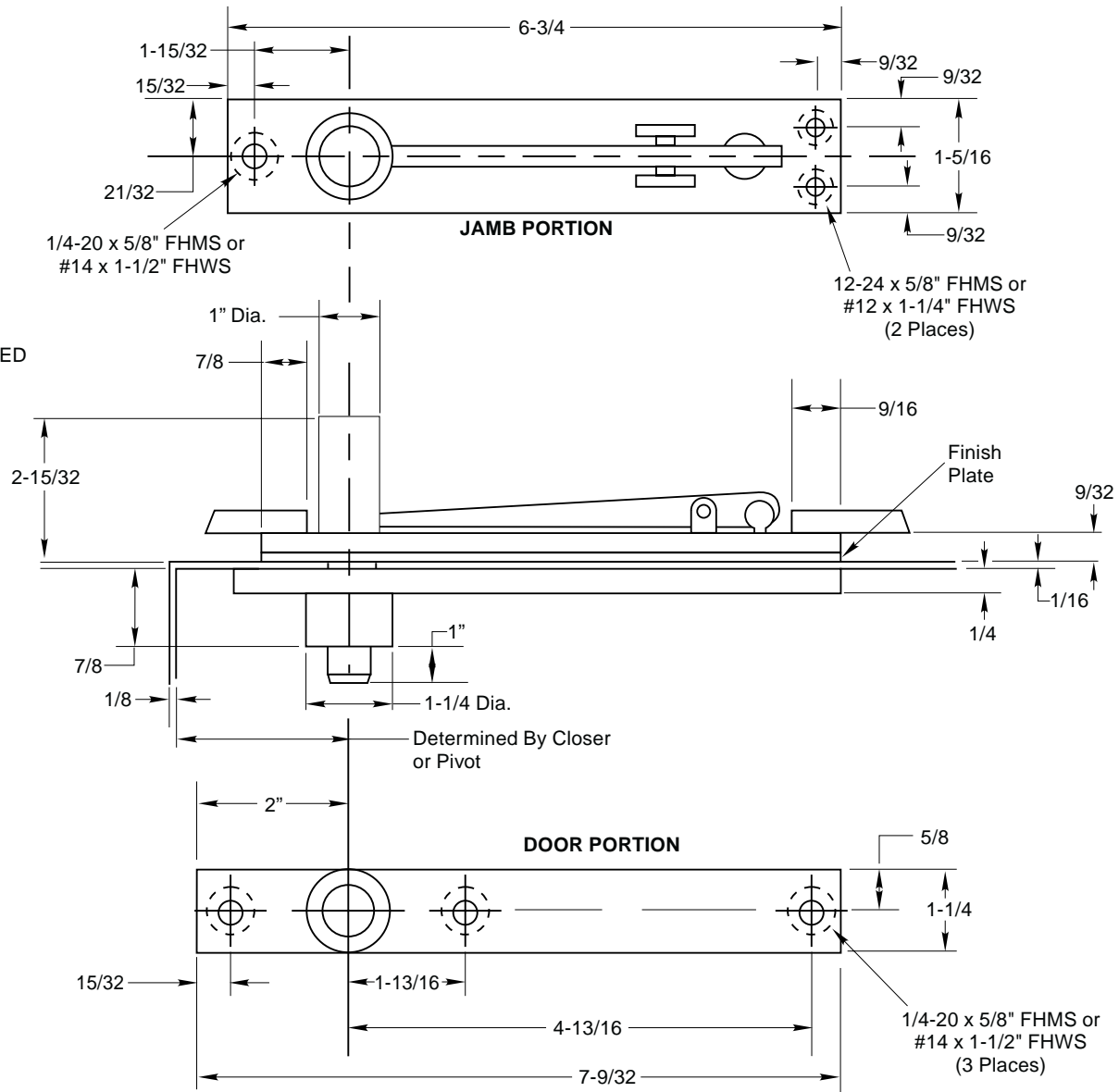


**Notes:**

- 1. Do not scale drawing.
- 2. All dimensions are in inches.

**H345 TOP PIVOT  
PIVOT SHOWN ENGAGED**



**Top Pivot  
H345  
Center Hung**



**Rixson Specialty Door Controls**

www.rixson.com

TEMPLATE NUMBER

**TP40245**

DATE

**6-02**